

PALMIYE

HOME COMFORT

PAVILION

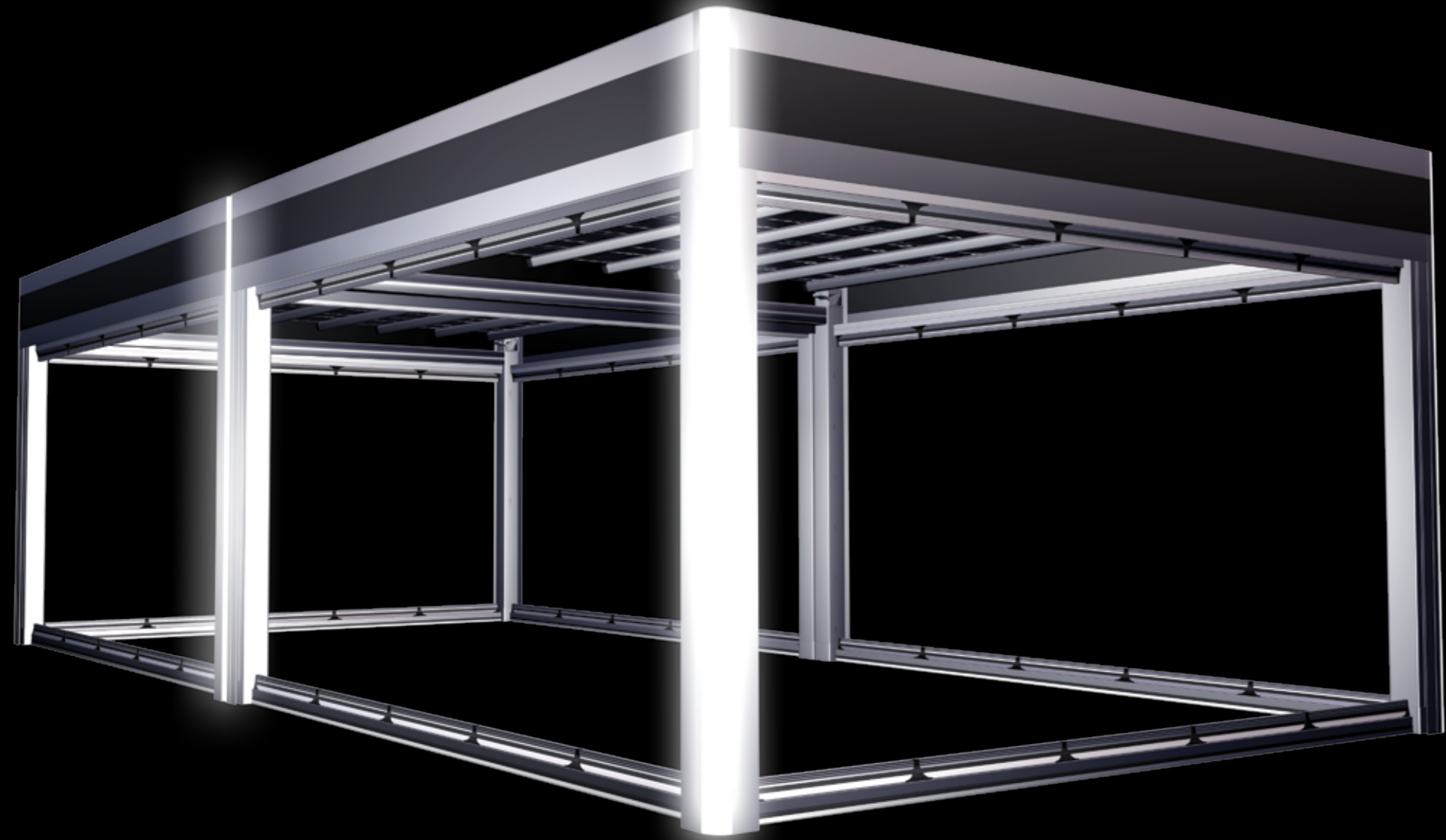


Strong, Handsome, Reliable.  
Distractingly alpha-male!



Delightfully male in appearance, this chiselled design provides ultimate garden luxury. With its angular details and strong features, Pavilion is perfect for getting the most out of your outdoor living area throughout the year.







DETAILS   
OPTIONS





## MOTOR & AUTOMATION

Internationally renowned Somfy motors from France are used to operate all of our products. Guaranteed for 5 years and using RTS technology, the motors can be operated at the simple touch of a button.



## PALMIYE APPS

We are proud to present our own MyPalmiye App which has been designed specifically for Palmiye products and is available at Apple's App store.

Now you can take full control of your Palmiye experience and choose from several options, directly from your iPhone or iPad.

These include:

- Activating the infra-red heaters.
- Adjusting the FourSeasons cover.
- Dimming the lights.
- Playing your favourite music.

## FABRIC

Palmiye presents a broad range of fabrics with a wide selection of colours, patterns and elegant designs imported from the USA, France, Spain and Italy, and all with 5 years guaranty against fading and mould.

### FS Flexy

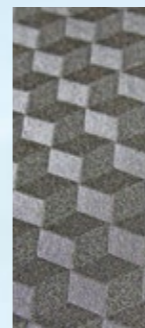
FS Flexy fabric, which is used in all Four Seasons products, is a light weight PVC-based material. Consisting of 3 layers, it is highly resistant in many ways including being fully flame retardant and water resistant as well as filtering UV light. Exclusively produced for Palmiye, it is easy to clean and is available in white, ivory and grey.

### Izo Pro

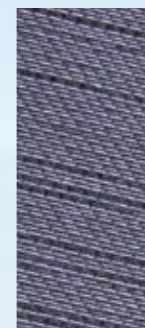
Patented by Palmiye, Izo Pro is a unique example of what Nano technology can offer. Its insulating functions mean that it ensures a room is kept cool in the summer whilst making it easy to heat during the winter months. As well as being considered soundproof it plays a big part in energy saving and Green technologies.

### Ferrari Soltis

Specially designed for Palmiye in such a way that it is see-through despite still blocking the sun and 95% of UV rays, this fabric has a natural citronella scent and acts as a subtle insect repellent that gently perfumes the area.



FS Flexy



Izo Pro



Ferrari Soltis

5 YEAR WARRANTY



## TECHNICAL DETAILS

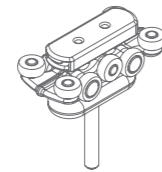


Distinguished by their design, durability and state-of-the-art detailing, all of our products are certified by TÜV and ISO.



### SPOT LIGHTS

Depending on whether you want strong practical lighting, or an atmospheric dimmed ambience, choose from 1 or 3 Watt LED lighting options. Investing in LED technologies is part of Palmiyes contribution to a green environment.



### 10-WHEEL CAR

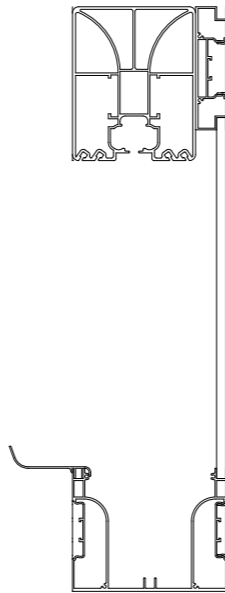
Our specially designed 10 wheel car drive, with its one-part stainless steel body, ensures silent, fast and balanced operation of your product.



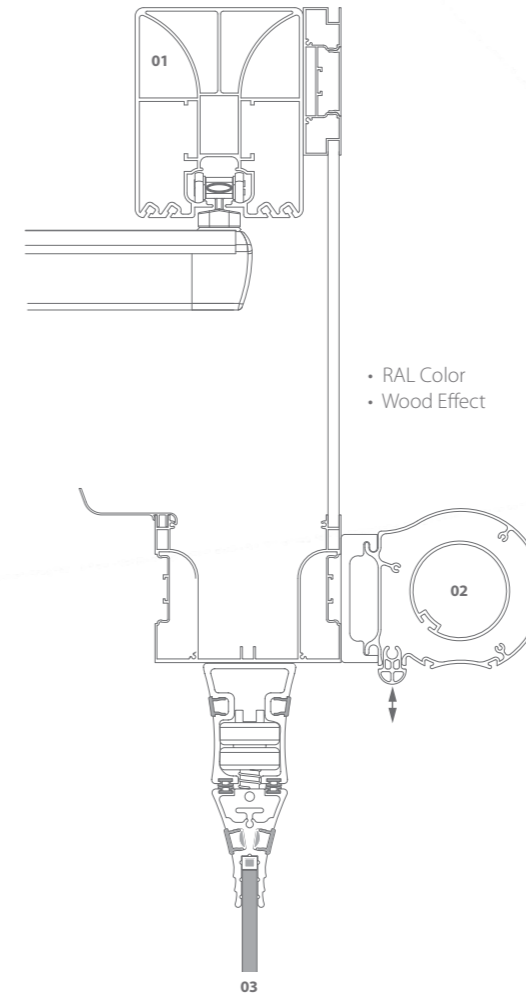
### IDS

Specifically designed to add a nice aesthetic touch as well as being highly functional, this Integrated Drainage System (IDS) ensures that all water is smoothly drained inside the front pillar.

### ALUMINIUM RAIL (A001)



### ALUMINIUM RAIL



### 01 GEOMETRIC CROSS SECTION

With its geometric design, the specially engineered inner section gives maximum strength and wind resistance to the aluminium rail profile.

### 02 VERTICAL BLIND

Horizontal sun rays can be reduced with a vertical blind. It is a full cassette awning and the Ferrari Soltis fabric, provides shade without interrupting the view.

### 03 GLASS SYSTEMS

Different glass systems can be installed directly onto the front beam.

- RAL Color
- Wood Effect

Palmiye with an international network and organizational structure, is represented in many countries worldwide.

The values of each different culture and their unique architectural concepts, inspire and are reflected in Palmiye's products.

As an open-minded innovator, Palmiye operates sensitively, tailoring distinctive and incomparable products, where the thoughts and feelings of world famous architects and designers are brought to life.

Palmiye, through its team of professional designers, architects and engineers, shares possible solutions with customers and ensures that they experience the true meaning of the word "unique".

Taking their place within the ever growing 'smartphone' culture, the MyPalmiye App ensures that control of each product is now with the greatest of ease.

By channelling their extensive knowledge and experience with shade systems into retractable products, which can be used all year round, their professionalism has entered a new dimension.





  
**PALMIYE**

[www.palmiye.eu](http://www.palmiye.eu)